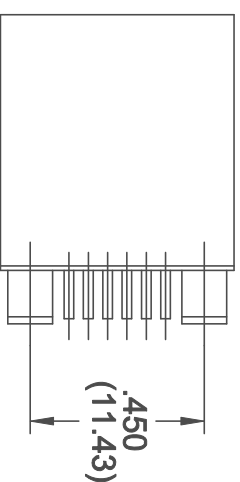
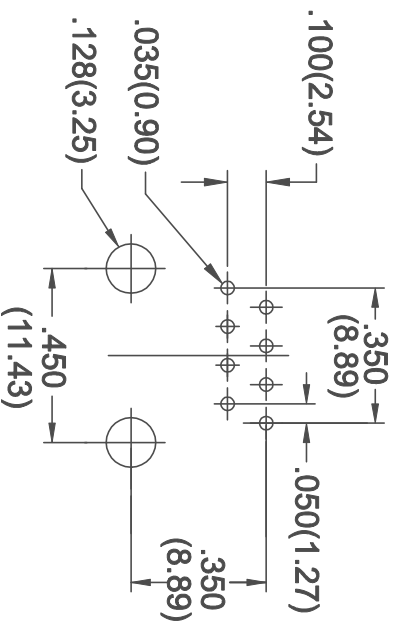
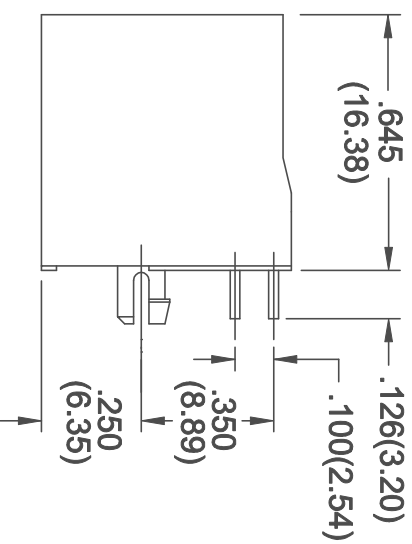
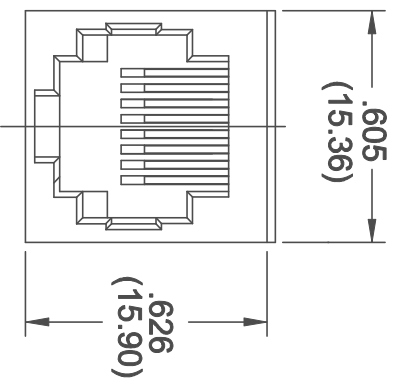


THIS IS A C.A.D. GENERATED DRAWING
DO NOT MAKE MANUAL REVISIONS TO MASTER.

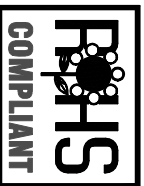


NOTES

MATERIAL:

**HOUSING: PBT POLYESTER, UL94V-0 RATED
COLOR BLACK**

**CONTACTS: PHOSPHOR BRONZE
GOLD FLASH OVER NICKEL ON CONTACT AREA
TIN PLATING ON TAILS**



THIS SERIES FULLY CONFORMS TO THE
EUROPEAN UNION DIRECTIVES 2002/95/EC
AND 2002/96/EC FOR ROHS COMPLIANCY.

**MODULAR JACK TOP ENTRY PCB
8 POSITIONS**



EDAC INC
TORONTO, ONTARIO
CANADA

YOUR CONNECTION TO QUALITY & SERVICE

THESE DRAWINGS AND SPECIFICATIONS
ARE THE PROPERTY OF EDAC INC. AND
SHALL NOT BE REPRODUCED OR COPIED
OR USED AS THE BASIS FOR THE
MANUFACTURE OR SALE OF APPARATUS
WITHOUT WRITTEN PERMISSION.

ACAD REFERENCE NO. A00-108-220-450

DRAWN: R.BLAKELY DATE: NOV. 13/06

CHECKED: DATE:

PART NUMBER A00-108-220-450

DRAWING NUMBER

A00-108-220-450

ISSUE
2